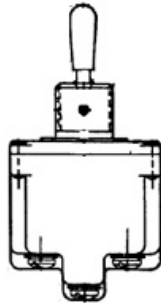




2TL1-56



Actual product appearance may vary.

TL Series Toggle Switch, 2 pole, 3 position, Screw terminal, Standard Lever, Military Part Number MS27407-2

Features

- Qualified to MIL-S-3950
- Environment-proof sealing
- 1,2, and 4 pole circuitry
- Standard and pull-to-unlock levers
- 2 and 3 position, maintained and momentary toggle action
- Temperature range: -85°F to +160°F
- Completely sealed switching chamber
- Step-design case provides added space between terminals to help prevent shorting
- UL recognized, CSA certified
- CE approved

Potential Applications

- Industrial machinery and equipment
- Military and commercial aviation
- Construction equipment
- Test instruments
- Agricultural machinery
- Process control
- Medical instrumentation

Description

MICRO SWITCH™ TL Series toggle switches have high strength, temperature resistant, non-tracking case material and silver cadmium oxide contacts. Pull-to-Unlock toggle levers prevent accidental operation; the lever must be pulled approx. 2,3 mm (0.09 inches) to change positions.

Product Specifications													
Circuitry/ Operating action	<table border="0"> <tr> <td style="text-align: center;">Keyway Momentary Position</td> <td style="text-align: center;">Center Maintained Position</td> <td style="text-align: center;">Opposite Keyway Maintained Position</td> </tr> <tr> <td style="text-align: center;"></td> <td style="text-align: center;"></td> <td style="text-align: center;"></td> </tr> <tr> <td style="text-align: center;"></td> <td style="text-align: center;"></td> <td style="text-align: center;"></td> </tr> <tr> <td style="text-align: center;">ON</td> <td style="text-align: center;">ON</td> <td style="text-align: center;">ON</td> </tr> </table>	Keyway Momentary Position	Center Maintained Position	Opposite Keyway Maintained Position							ON	ON	ON
Keyway Momentary Position	Center Maintained Position	Opposite Keyway Maintained Position											
ON	ON	ON											
Product Type	MICRO SWITCH™ Toggle Switch												
Ampere/ Voltage Range (Resistive Load)	0.75 A at 115 Vdc, 0.5 A at 250 Vdc, 0.5 A to 10 A at 0.5 Vac to 277 Vac, 0.5 A to 18 A at 0.5 Vdc to 28 Vdc												
Circuitry	DPDT												
Action	3 position												
Mounting	Bushing 15/32 in												
Termination	Screw												
Military Part Number	MS27407-2												
Lever Type	Standard												
UL/CSA Rating Code	L192: 10 A-125, 250, 277 Vac; 1/4 Hp-125 Vac; 1/2 Hp-250, 277 Vac; 3 A-125 Vac "L"												
Comment	Silver cadmium oxide contacts												
Availability	Global												
UNSPSC Code	30211908												
UNSPSC Commodity	30211908 Toggle switches												
Series Name	TL												

MICRO SWITCH

FREERPORT, ILLINOIS, U.S.A.
A DIVISION OF HONEYWELL
FED. MFG. CODE 91929

SWITCH-TOGGLE

CATALOG LISTING
2TL1-56 SERIES

CHART 1

MILITARY STANDARD NUMBER

CATALOG LISTING

AVAILABLE LOCKING COMBINATIONS FOR CONFIGURATION SEE LETTERED DETAILS

STYLE NUMBER

MILITARY RATING (AMPS)

RESISTIVE LOAD DC VOLTS			AC VOLTS			LAMP LOAD		INDUCTIVE LOAD	
28	125	250	125	250	28 VDC	125 VAC	28 VDC	125 VAC	
18	.75	.5	11	6	5	2	10	8	

THIS DRAWING COVERS A PROPRIETARY ITEM AND IS THE PROPERTY OF MICRO SWITCH. A DIVISION OF HONEYWELL. THIS DRAWING IS NOT TO BE COPIED OR USED WITHOUT THE APPROVAL OF MICRO SWITCH.

CATALOG LISTING
2TL1-56 SERIES CHART 1
PAGE 1 OF 1
RELEASE NO. CO-78465
REPLACES 2TL1-56 SERIES

ISSUE **M**
4

REVISIONS

A	CO-78047	SAD	20 AUG 94
B	CO-94432	CSL	23 NOV 99
C	0003011	KRB	06 FEB 04

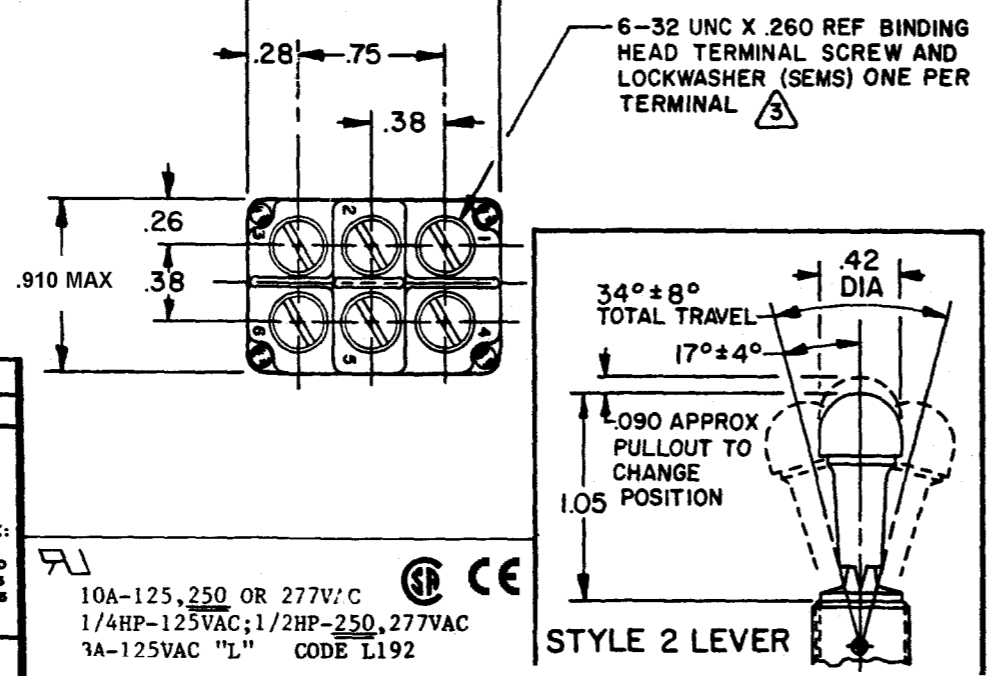
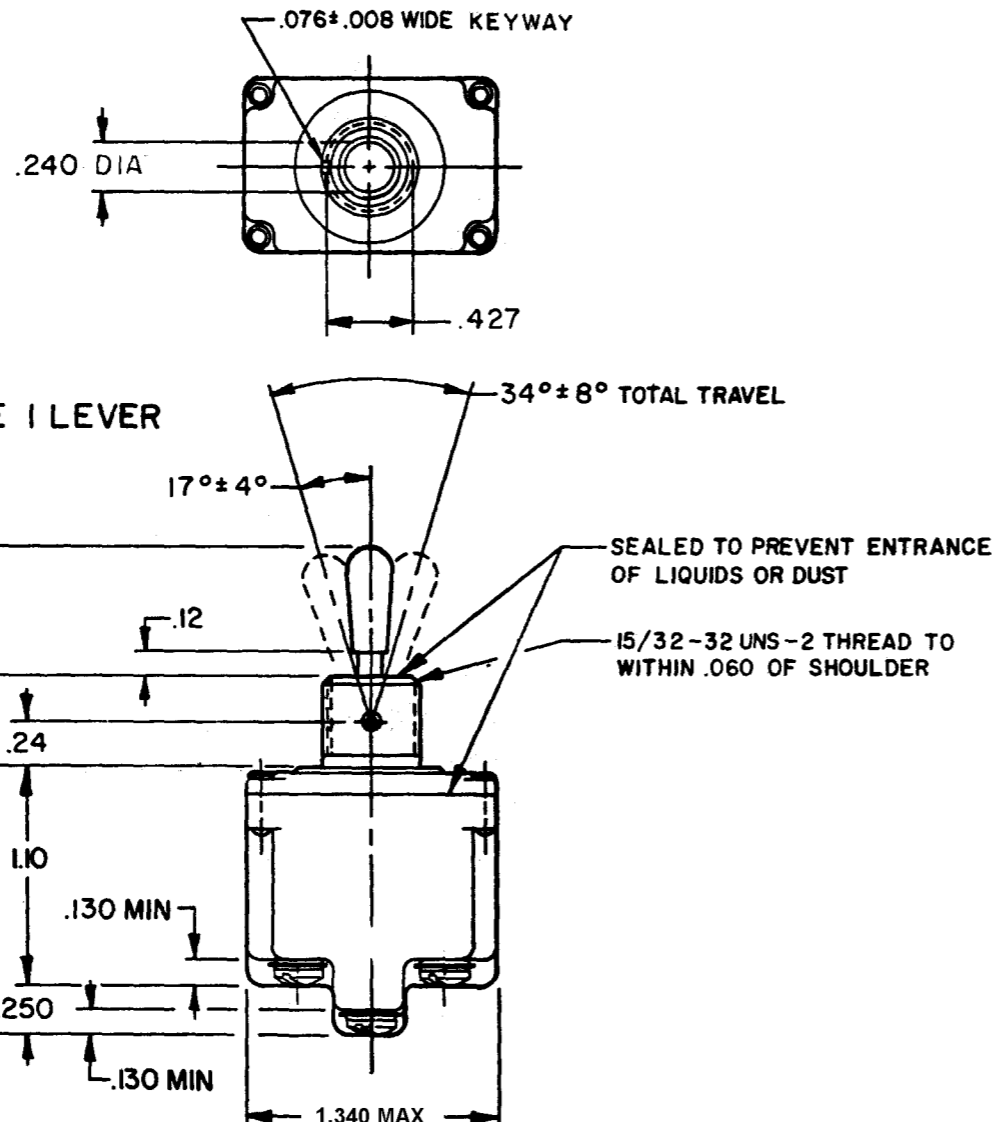
CHECK
06 FEB 04
MDM

CHECK
23 JUN 94
KAG

CHECK
10 JUN 94
KDR

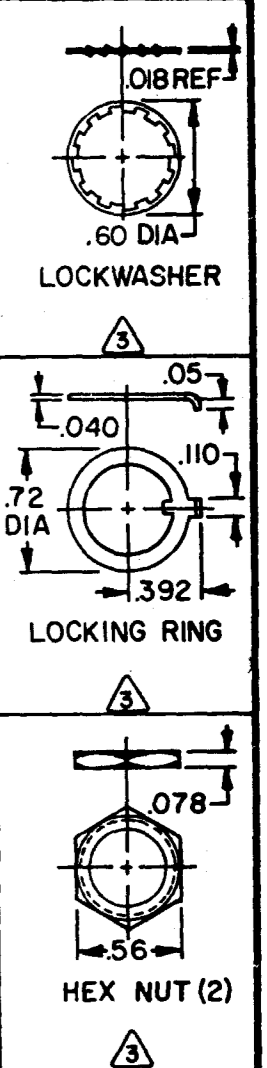
CHECK
10 JUN 94
KDR

SCALE FULL
DO NOT SCALE PRINT
UNLESS OTHERWISE NOTED
DIMENSIONS ARE IN INCHES
TOLERANCES ARE:
ONE PLACE (.0) ±.030
TWO PLACE (.00) ±.015
THREE PLACE (.000) ±.005
ANGLES
WEIGHT .15 LB APPROX



27407-2	2TL1-56	NONE	1		
27408-2/6	2TL1-56/6	E, F, K, L, M, N	2		

"A" LOCKED IN THREE POSITIONS	"B" LOCKED IN CENTER AND EXTREME POSITION (KEYWAY SIDE)	"D" LOCKED OUT OF CENTER POSITION	"E" LOCKED IN CENTER POSITION	"F" LOCKED IN EXTREME POSITION (OPPOSITE KEYWAY)
"G" LOCKED IN EXTREME POSITION (KEYWAY SIDE)	"H" LOCKED OUT OF CENTER AND EXTREME POSITION (KEYWAY SIDE)	"J" LOCKED OUT OF CENTER AND EXTREME POSITION (OPPOSITE KEYWAY)	"K" LOCKED IN CENTER AND EXTREME POSITION (OPPOSITE KEYWAY)	"L" LOCKED OUT OF EXTREME POSITION (KEYWAY SIDE)
"M" LOCKED OUT OF AND INTO EXTREME POSITION (OPPOSITE KEYWAY)	"N" LOCKED OUT OF EXTREME POSITION (OPPOSITE KEYWAY)	"P" LOCKED OUT OF AND INTO EXTREME POSITION (KEYWAY SIDE)		



CIRCUIT MADE WITH TOGGLE LEVER IN

KEYWAY SIDE	CENTER	OPPOSITE KEYWAY
MOMENTARY POSITION	MAINTAINED POSITION	MAINTAINED POSITION

- NOTES
- SWITCHES ARE CAPABLE OF WITHSTANDING A TEMPERATURE OF 160°F CONTINUOUSLY AT FULL RATED LOAD
 - CIRCUIT DESIGNATION, MICRO SWITCH CATALOG LISTING AND MS NUMBER MARKED ON SIDE OF SWITCH
 - FURNISHED UNASSEMBLED
 - FOR TERMINAL COVER SEE MICRO SWITCH CAT. LIST. 5PA8
 - KEYWAY SHOWN ON LEFT SIDE
 - SUFFIX LETTER MUST BE ADDED FOR DESIRED TYPE OF TOGGLE LOCKING. SEE CHART FOR AVAILABLE LOCKING COMBINATIONS
 - THESE SWITCHES ARE QUALIFIED UNDER MIL-S-3950

FORMTEK
DRAWN

10 JUN 94
KDR

10A-125, 250 OR 277V/C
1/4HP-125VAC; 1/2HP-250, 277VAC
3A-125VAC "L" CODE L192